

Lumen Tech

Lighting, Inc.

Design AL20S 

Surface Mount Area Light

Maximum 2-26W PLT Compact Fluorescent
With Optional Battery Backup

Specifications

Housing: Heavy duty cast aluminum. Powder coated finish. See finish note.

Lens: High impact clear prismatic or white polycarbonate refractor with silicone gasket.

Reflector: One piece aluminum reflector computer designed with refractor for maximum efficiency finished white powder coat.

Ballast: Compact fluorescent electronic high power factor class P, universal voltage 120 thru 277 volt; 50/60 Hz.

Lamp: PLT lamp max. 42W, 4 pin base (by others).

Lamp Holder: White thermoplastic with snap-in lamp retainer springs.

Finish: Black, white or gray detergent cleaned, prime coated chip resistant powder urethane polyester coating. Contact factory for other colors.

Photometric Information: Contact factory.

Labels: CSA listed suitable for wet location under covered canopy.

SPECIFICATIONS SUBJECT TO CHANGE WITHOUT NOTICE



Ordering Information

Catalog Number	Watts	Light Source
Clear Prismatic Polycarbonate Lens		
AL20SCT18	1-18W	Compact Fluorescent
AL20SCT26	1-26W	Compact Fluorescent
AL20SCT32	1-32W	Compact Fluorescent
AL20SCT42	1-42W	Compact Fluorescent
AL20SC2T18	2-18W	Compact Fluorescent
AL20SC2T26	2-26W	Compact Fluorescent

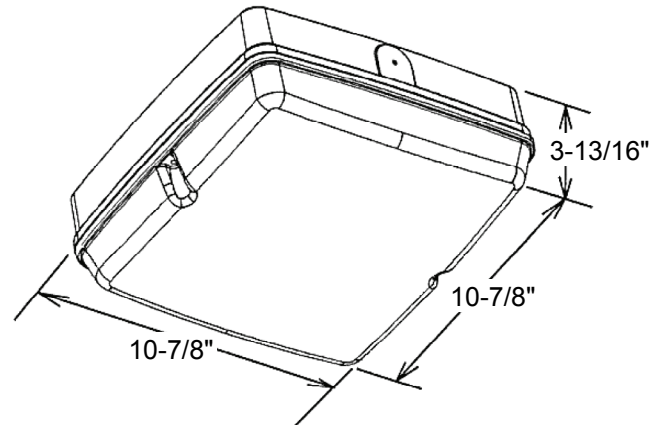
White Polycarbonate Lens

AL20SWT18	1-18W	Compact Fluorescent
AL20SWT26	1-26W	Compact Fluorescent
AL20SWT32	1-32W	Compact Fluorescent
AL20SWT42	1-42W	Compact Fluorescent
AL20SW2T18	2-18W	Compact Fluorescent
AL20SW2T26	2-26W	Compact Fluorescent

Options

Battery Backup	Order Catalog Number
One Hour	B1
Three Hour	B3

Color Options	Suffix Catalog Number With
Black	BL
White	WH
Gray	GR



Think Green

Lumen Tech

Lighting, Inc.

Design AL20S 

Surface Mount Area Light

**Maximum 2-26W PLT Compact Fluorescent
With Optional Battery Backup**

Contact Factory
For
Photometric
Information

