

Lumen Tech

Lighting, Inc.

Design AL23

Direct / Indirect Surface Mount Area Light

Maximum 175 Watt Metal Halide

150W High Pressure Sodium

Specifications

Housing: Heavy duty aluminum with quick mount system. White powder coated finish. See finish note.

Lens: Injection molded acrylic lens computer designed for wide distribution pattern, gasketed to frame.

Reflector: One piece anodized aluminum, computer designed in conjunction with the lens for efficiency.

Ballast: Pre-wired C.W.A., H.P.F. core and coil with capacitor.

Lamp: Clear medium base lamp (by others).

Lamp Holder: High heat 4 K.V. rated, w/nickel plated copper screw shell, spring loaded center contact.

Finish: White, detergent cleaned, prime coated. Chip resistant powder urethane polyester coating.

Photometric Information: Contact factory.

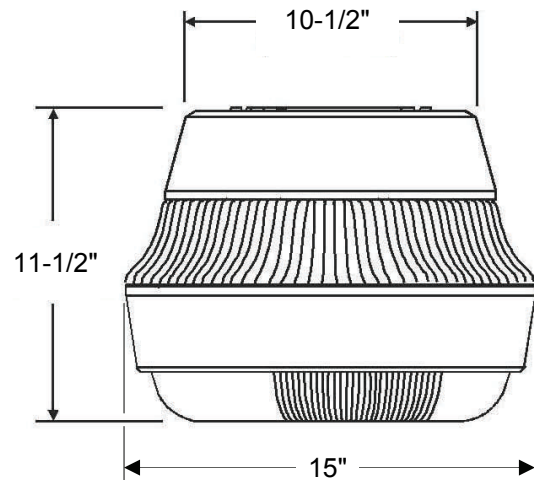
Labels: U/L, CUL listed suitable for wet location, under covered canopy applications.



SPECIFICATIONS SUBJECT TO CHANGE WITHOUT NOTICE

Ordering Information

Catalog Number	Watts	Light Source
AL2370H	70	HPS
AL23100H	100	HPS
AL23150H	150	HPS
AL2370M	70	MH
AL23100M	100	MH
AL23150M	150	MH
AL23175MP	175	MH PS



Quick Mount System



Lumen Tech

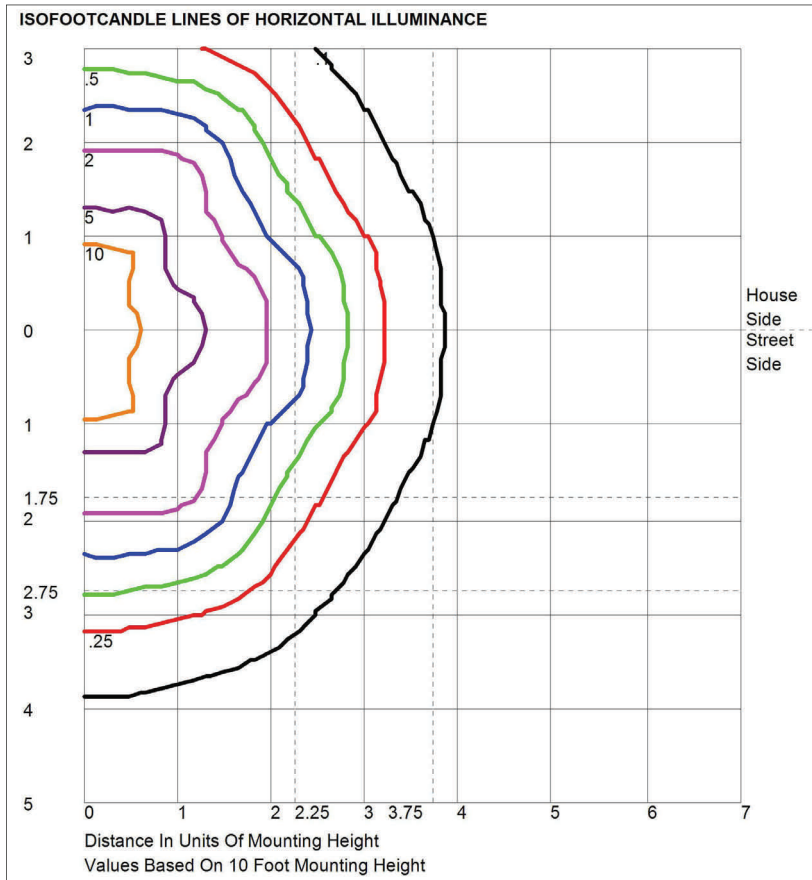
Lighting, Inc.

Design AL23

Direct / Indirect Surface Mount Area Light

Maximum 175 Watt Metal Halide

150W High Pressure Sodium



Report Number	AL23175M.IES
IES Classification	Type 5
Cutoff Classification	DIRECT / INDIRECT
Lamp	175W Clear MH ED17
Total Lamp Lumens	13600
Total Luminaire Watts	210W
Lens	Clear Polycarbonate

Options

QRS	Quartz Re-strike System (Less Lamp)
QRST	Time Delay Quartz Re-strike System (Less Lamp)
FD(Voltage)	Fusing