

Lumen Tech

Lighting, Inc.

Design AL9

Surface Mount Area Light

Maximum 26W PLT Compact Fluorescent
Clear Prismatic or White Polycarbonate Lens

Specifications

Housing: Heavy gauge formed steel with powder coated 90% reflective white finish. See finish note.

Lens: High impact injection molded polycarbonate clear prismatic or white refractor.

Ballast: Magnetic - Class P thermally protected. **Electronic** - High power factor class P, universal voltage 120 thru 277 volt; 50/60 Hz with end-of-life circuit, thermally protected.

Lamp Holder: White thermoplastic with snap-in lamp retainer springs.

Installation: Standard "J" box installation slots.

Finish: White, detergent cleaned, chip resistant TGIC powder urethane polyester coating.

Warranty: Two year warranty on housing, lens and electronic components. Lamp warranty by lamp manufacture.

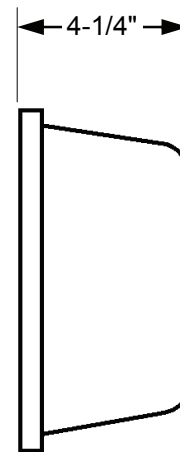
Photometric Information: Contact factory.

Labels: U/L, CUL listed suitable for wet location under covered canopy.

SPECIFICATIONS SUBJECT TO CHANGE WITHOUT NOTICE



Clear Prismatic Refractor Option





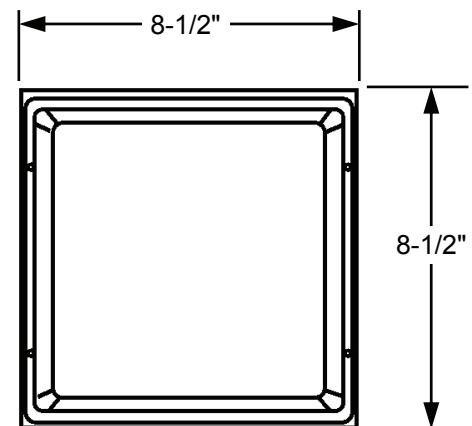
Ordering Information

Clear Prismatic Polycarbonate Lens

| Catalog Number | Watts | Ballast |
|----------------|---|------------|
| AL9C2PL9 | 2-9W PL | Magnetic |
| AL9C2PL13 | 2-13W PL | Magnetic |
| AL9CT18 |  1-18W PLT | Electronic |
| AL9CT26 |  1-26W PLT | Electronic |

White Polycarbonate Lens

| | | |
|-----------|---|------------|
| AL9W2PL9 | 2-9W PL | Magnetic |
| AL9W2PL13 | 2-13W PL | Magnetic |
| AL9WT18 |  1-18W PLT | Electronic |
| AL9WT26 |  1-26W PLT | Electronic |



White Polycarbonate Lens



Lumen Tech

Lighting, Inc.

Design AL9

Surface Mount Area Light

**Maximum 26W PLT Compact Fluorescent
Clear Prismatic or White Polycarbonate Lens**

**Contact Factory
For
Photometric
Information**

