

Lumen Tech

Lighting, Inc.

Design F216

Adjustable Swivel / Slip-Fitter Mount
Flood Light With Lens Guard

Maximum 150W Metal Halide High Pressure Sodium
Or PLT 42W Compact Fluorescent

Specifications

Housing: Heavy duty cast aluminum with silicone gasket. Powder coated finish. See finish note.

Lens: Clear tempered glass silicone sealed to door frame.

Reflector: Anodized aluminum, computer designed for efficiency.

Ballast: H.I.D.: Pre-wired C.W.A., H.P.F. core and coil with capacitor. **CF:** Compact fluorescent electronic high power factor class P, universal voltage 120 thru 277 volt; 50/60 Hz.

Lamp: H.I.D.: Clear medium base. **CF:** PLT lamp, 4 pin base (by others).

Lamp Holder: H.I.D.: High heat 4 K.V. rated, w/nickel plated copper screw shell, spring loaded center contact.

CF: White thermoplastic with snap-in lamp retainer springs.




Finish: Bronze, detergent cleaned, prime coated chip resistant powder urethane polyester coating. Contact factory for other colors.

Photometric Information: Contact factory.

Labels: U/L, CUL listed suitable for wet location.

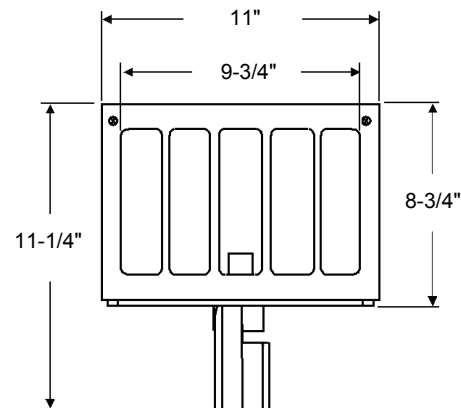
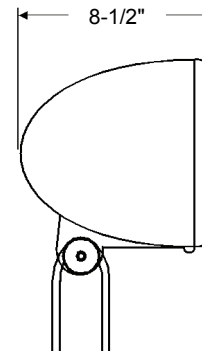
SPECIFICATIONS SUBJECT TO CHANGE WITHOUT NOTICE

Ordering Information

Catalog Number	Watts	Light Source
F216T26 	26	Compact Fluorescent
F216T32 	32	Compact Fluorescent
F216T42 	42	Compact Fluorescent
F21670H	70	HPS
F216100H	100	HPS
F216150H	150	HPS
F21670M	70	MH
F216100M	100	MH
F216150M	150	MH

For Swivel Mount Suffix Catalog# With "SV"

For Slip-Fitter Mount Suffix Catalog# With "SF"



Optional Mounting Plate **F216MP**

Swivel Mount Option

2-3/8" Tenon Slip-Fitter Mount Option



Lumen Tech

Lighting, Inc.

Design F216

Adjustable Swivel / Slip-Fitter Mount

Flood Light With Lens Guard

Maximum 150W Metal Halide High Pressure Sodium

Or PLT 42W Compact Fluorescent

**Contact Factory
For
Photometric
Information**

