

Lumen Tech

Lighting, Inc.

Design F219T Adjustable Trunnion Mount Flood Light With Lens Guard Maximum 400W Metal Halide Or High Pressure Sodium

Specifications

Housing: Heavy duty cast aluminum with silicone gasket. Powder coated finish. See finish note.

Lens: Clear tempered glass silicone sealed to door frame.

Reflector: Anodized aluminum, computer designed for efficiency.

Ballast: Pre-wired C.W.A., H.P.F. core and coil with capacitor.

Lamp: Clear mogul base. (by others).

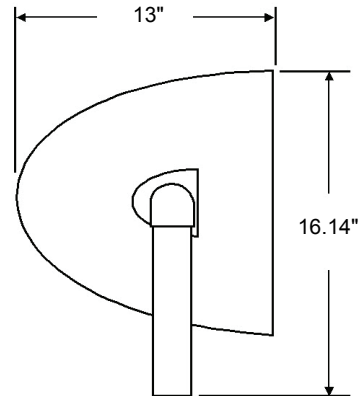
Lamp Holder: High heat 4 K.V. rated, w/nickel plated copper screw shell, spring loaded center contact.

Finish: Bronze, detergent cleaned, prime coated chip resistant powder urethane polyester coating. Contact factory for other colors.

Photometric Information: Contact factory.

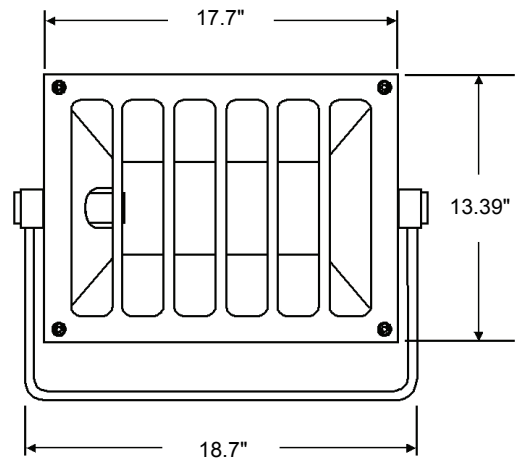
Labels: U/L, CUL listed suitable for wet location.

SPECIFICATIONS SUBJECT TO CHANGE WITHOUT NOTICE



Ordering Information

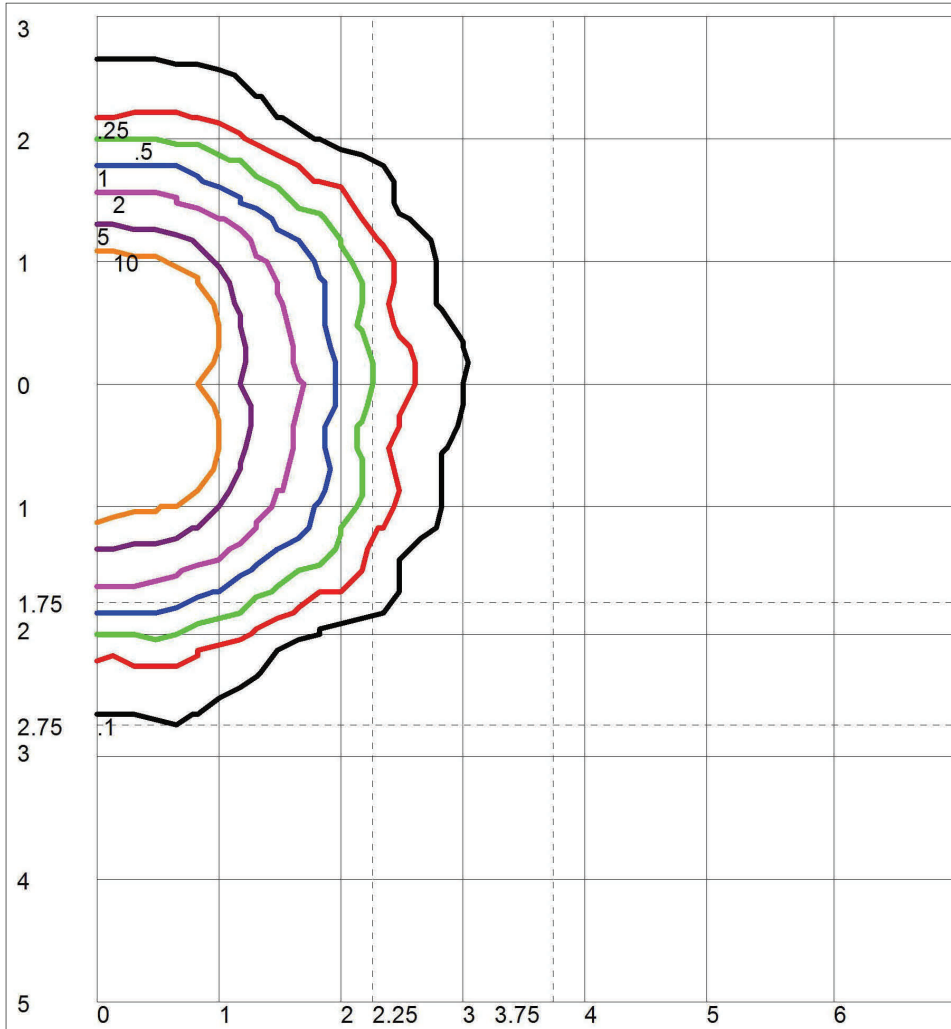
Catalog Number	Watts	Light Source
F219T250H	250	HPS
F219T400H	400	HPS
F219T175MP	175	MH Pulse Start
F219T250MP	250	MH Pulse Start
F219T320MP	320	MH Pulse Start
F219T350MP	350	MH Pulse Start
F219T400MP	400	MH Pulse Start



Lumen Tech

Lighting, Inc.

Design F219T
Adjustable Trunnion Mount Flood Light
With Lens Guard
Maximum 400W Metal Halide
Or High Pressure Sodium



Report Number	F219400M.IES
IES NEMA Type	6H X 6V
Maximum Candela	10111
Light Source	400W MH
Total Lumens	32000
Total Luminaire Watts	460
Lens	Clear Tempered Glass

ISOFOOTCANDLE LINES OF VERTICAL ILLUMINANCE
UNITS BASED ON 12' DISTANCE FROM SURFACE