

# Lumen Tech

Lighting, Inc.

## Design F241 Adjustable Yoke Mount Maximum 400 Watt Metal Halide Or High Pressure Sodium

### Specifications

**Housing:** Heavy duty cast aluminum with silicone gasket. Bronze powder coated finish. See finish note.

**Lens:** High impact/heat resistant clear tempered glass silicone sealed to door frame.

**Reflector:** Anodized aluminum, computer designed for efficiency.

**Ballast:** Pre-wired C.W.A., H.P.F. core and coil with capacitor.

**Lamp:** Clear mogul base lamp (by others).

**Lamp Holder:** High heat 4 K.V. rated, w/nickel plated copper screw shell, spring loaded center contact.

**Finish:** Bronze, detergent cleaned, prime coated. Chip resistant powder urethane polyester coating.

**Photometric Information:** Contact factory.

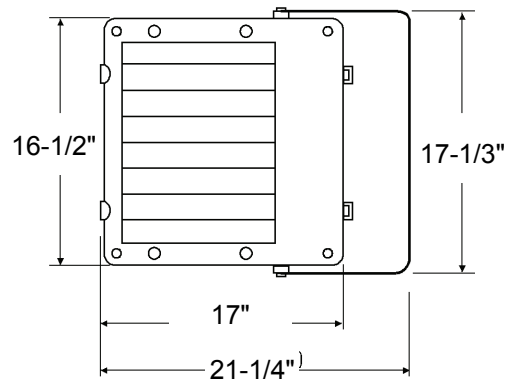
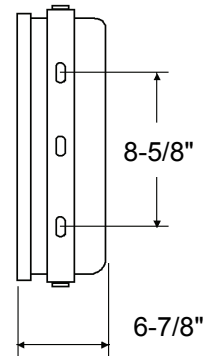
**Labels:** U/L, CUL listed suitable for wet location.



*SPECIFICATIONS SUBJECT TO CHANGE WITHOUT NOTICE*

### Ordering Information

Catalog Number	Watts	Light Source
F241150H	150	HPS
F241250H	250	HPS
F241400H	400	HPS
F24175MP	175	MH PS
F241250MP	250	MH PS
F241320MP	320	MH PS
F241350MP	350	MH PS
F241400MP	400	MH PS



### Options & Accessories



F241SH  
Polycarbonate Shield

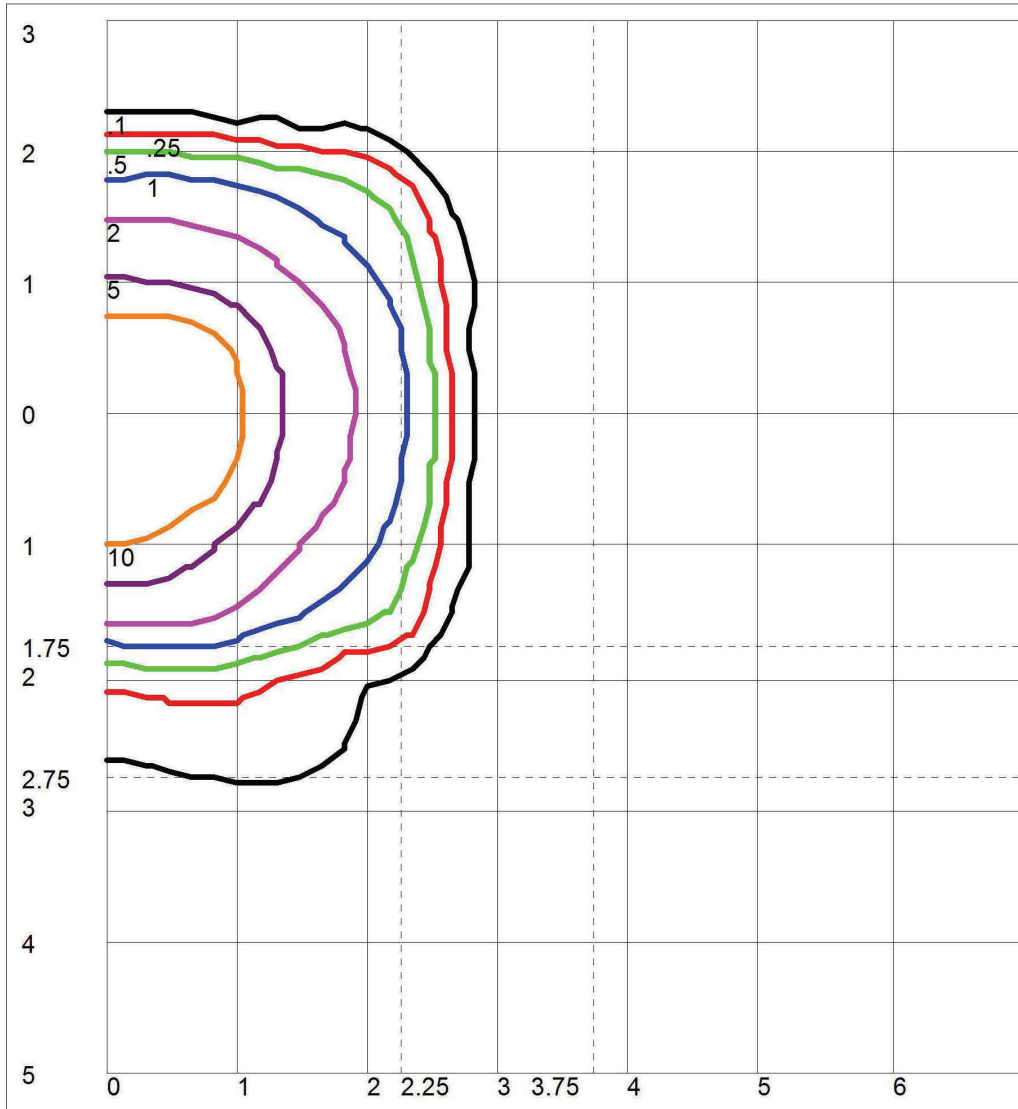
F241WG  
Wire Guard

F241SV  
Visor Shield

# Lumen Tech

Lighting, Inc.

**Design F241**  
*Adjustable Yoke Mount*  
Maximum 400 Watt Metal Halide  
Or High Pressure Sodium



Report Number	F241400M.IES
IES NEMA Type	7H X 6V
Maximum Candela	7394
Light Source	400W MH
Total Lumens	32000
Total Luminaire Watts	430
Lens	Clear Tempered Glass

ISOFOOTCANDLE LINES OF VERTICAL ILLUMINANCE  
UNITS BASED ON 12' DISTANCE FROM SURFACE