

Lumen Tech

Lighting, Inc.

Design AL23i

Direct / Indirect Surface Mount Area Light
With 80W Induction Lamp
Rated 100,000 Hour Average Life

Specifications

Housing: Heavy duty aluminum with quick mount system. White powder coated finish. See finish note.

Lens: Injection molded acrylic lens computer designed for wide distribution pattern, gasketed to frame.

Reflector: One piece anodized aluminum, computer designed in conjunction with the lens for efficiency.

High Frequency Generator: High frequency electronic generator. Operating in a range of 120 to 277 volts 50 or 60 Hz.

Lamp: Inductively coupled electrode less fluorescent lamp with average rated life 100,000 hours CRI=80 color temp 2700K — 6500K.

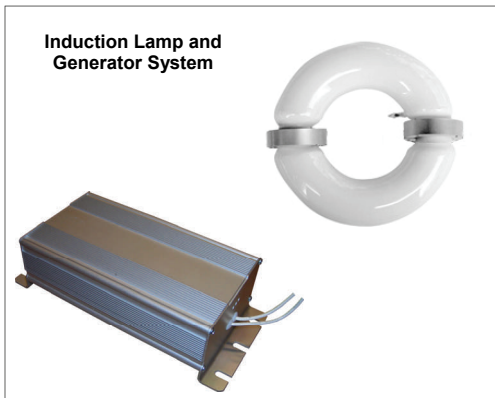
Finish: White, detergent cleaned, prime coated. Chip resistant powder urethane polyester coating.

Photometric Information: Contact factory.

Labels: U/L, CUL listed suitable for wet location, under covered canopy applications.

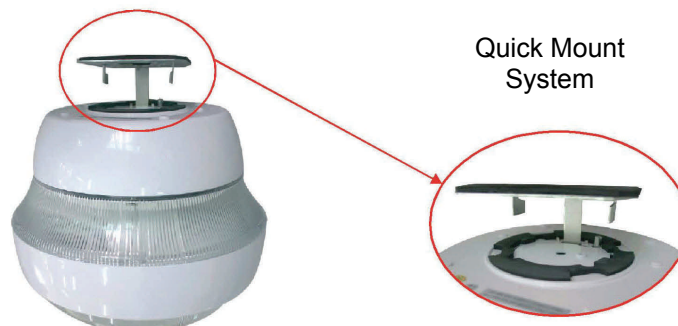
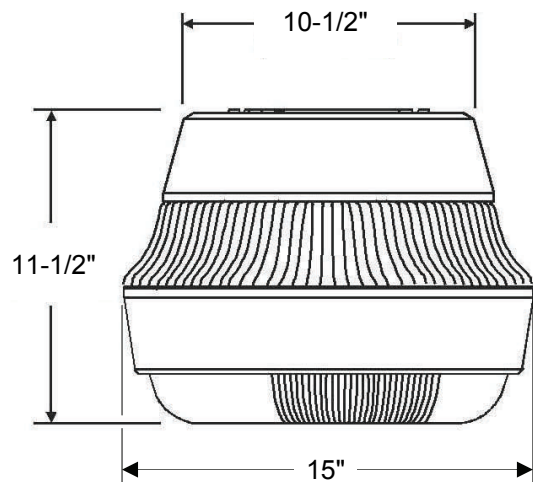


SPECIFICATIONS SUBJECT TO CHANGE WITHOUT NOTICE



Ordering Information

| Catalog Number | Watts | Light Source |
|----------------|-------|----------------|
| AL2380i | 80 | Induction Lamp |



Lumen Tech

Lighting, Inc.

Design AL23i

Direct / Indirect Surface Mount Area Light

With 80W Induction Lamp

Rated 100,000 Hour Average Life

Contact Factory
For
Photometric
Information