

Lumen Tech

Lighting, Inc.

Vela LED Series

Design HBR16 High Bay Luminaire
25W, 50W or 90W Super Bright White LED
Open Acrylic Refractor

THINK GREEN WITH LED LIGHTING

LED's (Light Emitting Diodes) are more efficient than traditional H.I.D. (High Intensity Discharge) light sources consuming as much as 75% less energy.

H.I.D. Light sources (Metal Halide and High Pressure Sodium) are rated at 10,000 to 20,000 hours useful life. LED's are rated up to 80,000 hours providing much lower maintenance costs.

LED fixtures providing better energy efficiency and a better quality of useable light.



Specifications

Housing: Heavy duty die cast aluminum construction with corrosion resistant hardware and mounting hook. See finish note.

Refractor: Injection molded prismatic acrylic. Provides brightness control, designed for maximum efficiency.

Light Source: Super bright white 25W, 50W or 90W LED array with cast aluminum heat sink 3500K or 4100K color temp. 120V—277V LED driver.

Finish: White, detergent cleaned, prime coated. Chip resistant powder urethane polyester coating, electrostatic applied and baked.

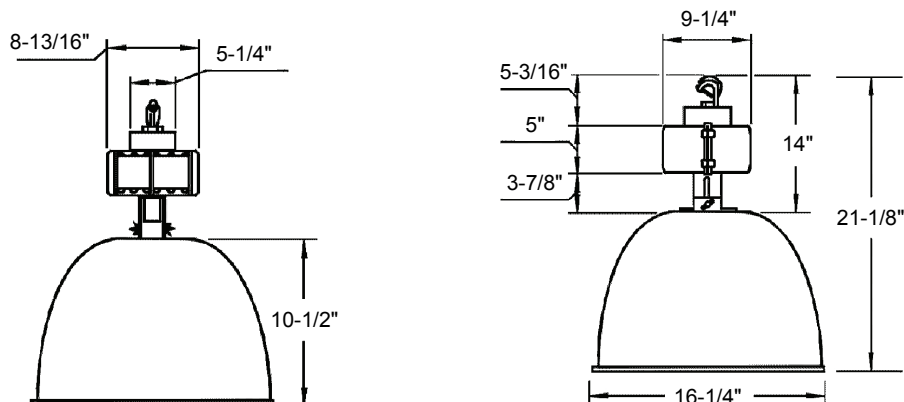
Photometric Information: Contact factory.

Labels: U/L, CUL listed suitable for damp location.

Ordering Information

Open Aperture Fixtures

Catalog Number	Watts	Light Source
HBR1625L	25	LED Array
HBR1650L	50	LED Array
HBR1690L	90	LED Array

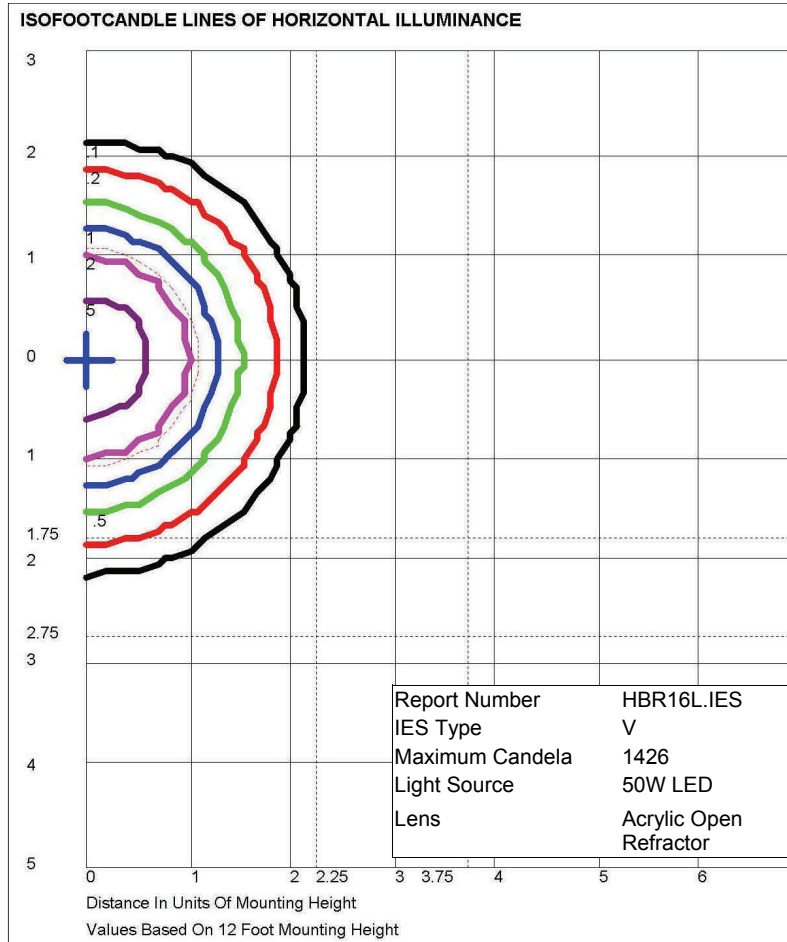


Lumen Tech

Lighting, Inc.

Vela LED Series

Design HBR16 High Bay Luminaire
25W, 50W or 90W Super Bright White LED
Open Acrylic Refractor



High Bay LED Retro-Fit Kit

Contact Factory For Information



Ordering Information

Open Aperture Acrylic Refractor Fixtures

Catalog Number	Watts	Light Source
HBR25L	25	LED Array
HBR50L	50	LED Array
HBR90L	90	LED Array

Retro-Fit Kit includes medium and mogul base adapters, mounting yoke, LED array and driver.



Think Green