

Lumen Tech

Lighting, Inc.

Dragon LED Series Design QF46 Floodlight Luminaire 25 Watt or 50 Watt Super Bright White LED Up To 80,000 Hour Average Rated Life

THINK GREEN WITH LED LIGHTING

LED's (Light Emitting Diodes) are more efficient than traditional H.I.D. (High Intensity Discharge) light sources consuming as much as 75% less energy.

H.I.D. Light sources (Metal Halide and High Pressure Sodium) are rated at 10,000 to 20,000 hours useful life. LED's are rated up to 80,000 hours providing much lower maintenance costs.

LED fixtures providing better energy efficiency and a better quality of useable light.



Specifications

Housing: Heavy duty cast aluminum with silicone gasket. Bronze powder coated finish. See finish note.

Lens: High impact/heat resistant clear tempered glass silicone sealed to door frame.

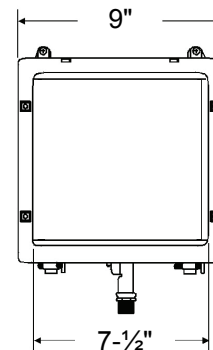
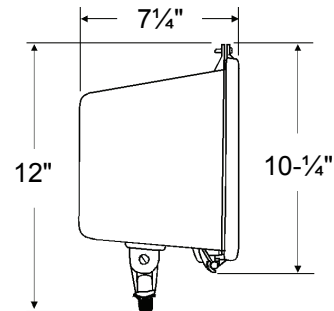
Reflector: Anodized aluminum, computer designed with LED array for efficiency and wide distribution.

Light Source: Super bright white 25W or 50W LED array with cast aluminum heat sink 3500K or 4100K color temp. 120V—277V LED driver.

Finish: Bronze, detergent cleaned, prime coated chip resistant powder urethane polyester coating. Contact factory for other colors.

Photometric Information: Contact factory.

Labels: U/L, CUL listed suitable for wet location.



QF46MP Mounting Plate
Option



2-3/8" Slip-Fitter Mount



Black Glare Shield
Option



Lumen Tech

Lighting, Inc.

Dragon LED Series
Design QF46 Floodlight Luminaire
25 Watt or 50 Watt Super Bright White LED
Up To 80,000 Hour Average Rated Life

Contact Factory For Photometric Information

Ordering Information

Catalog Number	Watts	Light Source
QF4625L	25	Super Bright LED
QF4650L	50	Super Bright LED

For swivel mount suffix catalog number with “**SV**”.
For slip-fitter suffix catalog number with “**SF**”.

Option	Order Catalog Number
Photocell	QF46PC(voltage)
Glare Shield	QF46GS
Polycarbonate Shield	QF46PS
Wire Guard	QF46WG

