

Lumen Tech

Lighting, Inc.

Design SC304

Surface Mount Wall Sconce
With Optional Up / Down Light
Maximum 150W Metal Halide
High Pressure Sodium
Or 42W PLT Compact Fluorescent

Specifications

Housing: Heavy duty cast aluminum with quick mount system. Powder coated finish. See finish note.

Lens: Clear tempered glass silicone sealed to door frame.

Reflector: Anodized aluminum, computer designed for efficiency, classified type III full cut-off dark sky compliant.

Ballast: H.I.D.: Pre-wired C.W.A., H.P.F. core and coil with capacitor. **CF:** Compact fluorescent electronic high power factor class P, universal voltage 120 thru 277 volt; 50/60 Hz.

Lamp: H.I.D.: Clear medium base. **CF:** PLT lamp max. 42W, 4 pin base (by others).

Lamp Holder: H.I.D.: High heat 4 K.V. rated, w/nickel plated copper screw shell, spring loaded center contact.

CF: White thermoplastic with snap-in lamp retainer springs.




Finish: Bronze, detergent cleaned, prime coated chip resistant powder urethane polyester coating. Contact factory for other colors.

Photometric Information: Contact factory.

Labels: U/L, CUL listed suitable for wet location.

SPECIFICATIONS SUBJECT TO CHANGE WITHOUT NOTICE

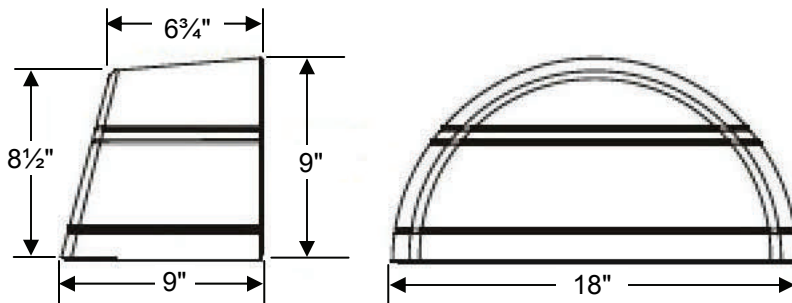
Ordering Information

Catalog Number	Watts	Light Source
SC304T26 	26	Compact Fluorescent
SC304T32 	32	Compact Fluorescent
SC304T42 	42	Compact Fluorescent
SC30470H	70	HPS
SC304100H	100	HPS
SC304150H	150	HPS
SC30470M	70	MH
SC304100M	100	MH
SC304150M	150	MH

For up / down light suffix catalog number with **UD**.



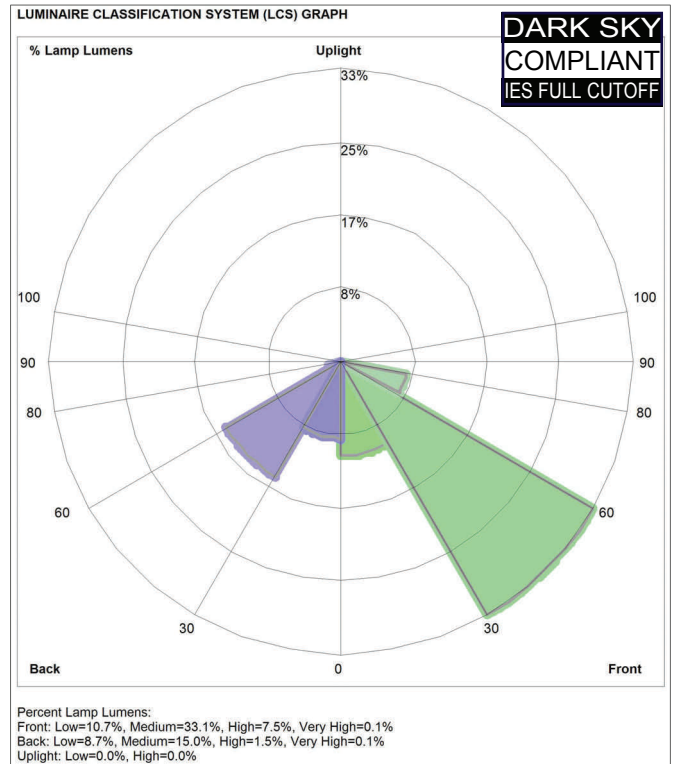
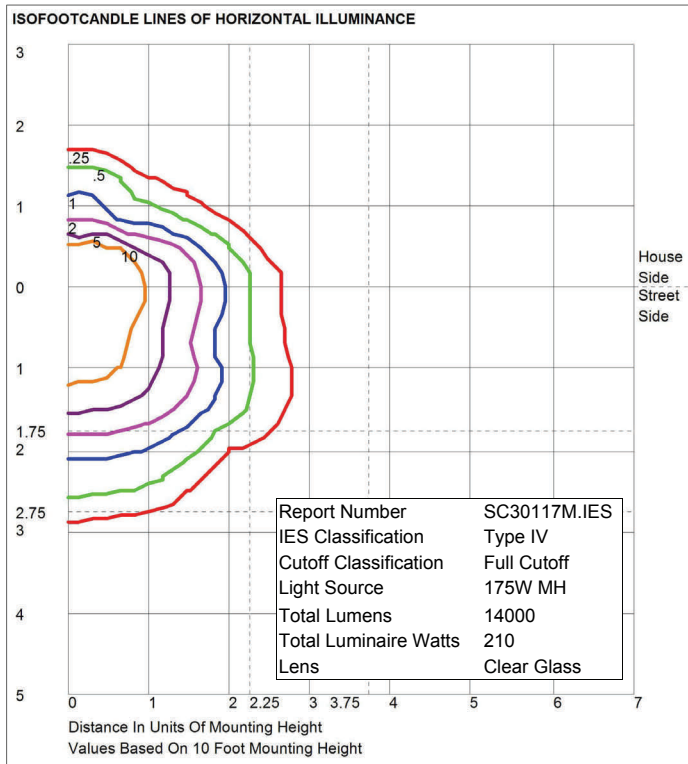
Optional Up / Down Light



Lumen Tech

Lighting, Inc.

Design SC304
Surface Mount Wall Sconce
With Optional Up / Down Light
Maximum 150W Metal Halide
High Pressure Sodium
Or 42W PLT Compact Fluorescent



Quick Mount System (SC303 Shown)

