

# Lumen Tech

Lighting, Inc.

## Design WP73

Surface Mount Wall Pack

Maximum 400 Watt Metal Halide  
Or 400W High Pressure Sodium

### Specifications

**Housing:** Heavy duty cast aluminum. Bronze powder coated finish. See finish note.

**Lens:** High impact/heat resistant borosilicate glass refractor computer designed for wide distribution pattern, silicone sealed to door frame.

**Reflector:** Anodized aluminum, computer designed in conjunction with the lens for efficiency.

**Ballast:** Pre-wired C.W.A., H.P.F. core and coil with capacitor.

**Lamp:** Clear mogul base lamp (by others).

**Lamp Holder:** High heat 4 K.V. rated, w/nickel plated copper screw shell, spring loaded center contact.

**Finish:** Bronze, detergent cleaned, prime coated. Chip resistant powder urethane polyester coating.

**Photometric Information:** Contact factory.

**Labels:** U/L, CUL listed suitable for wet location.



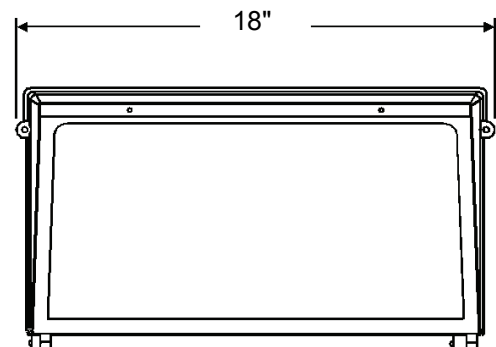
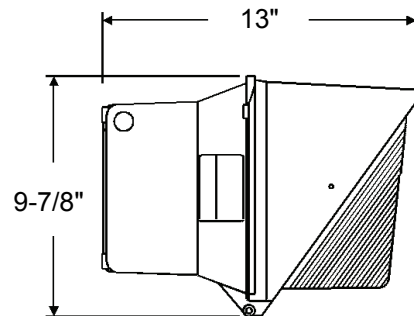
*SPECIFICATIONS SUBJECT TO CHANGE WITHOUT NOTICE*

### Ordering Information

Catalog Number	Watts	Light Source
WP73250H	250	HPS
WP73400H	400	HPS
WP73250MP	250	MH PS
WP73320MP	320	MH PS
WP73400MP	400	MH PS

### Options

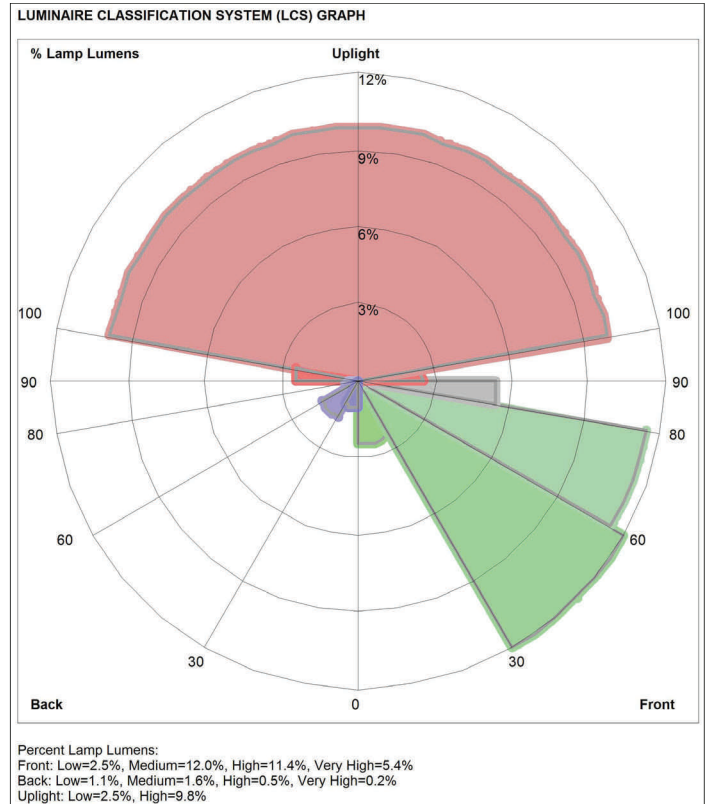
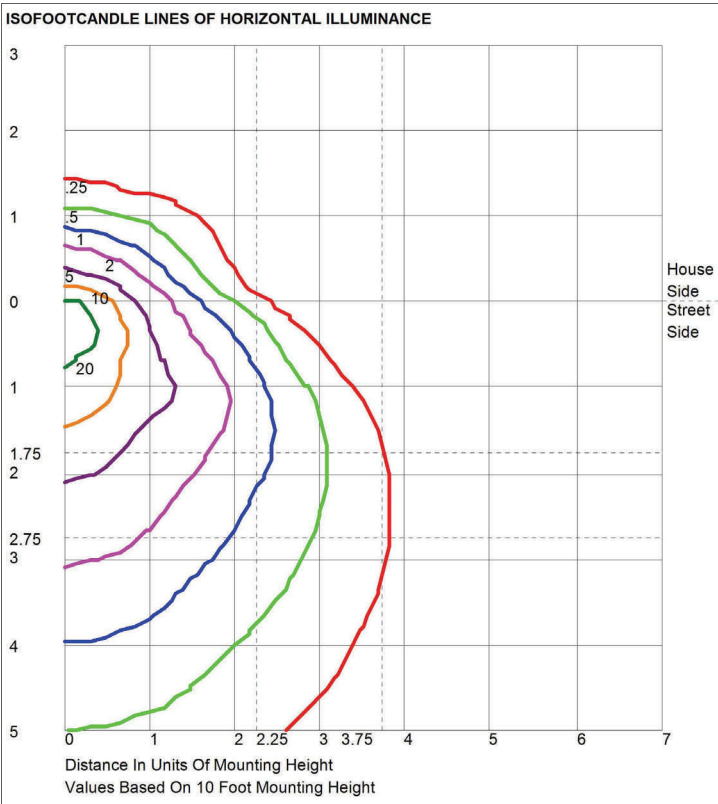
<b>PC(Voltage)</b>	Photocell Control
<b>QRS</b>	Quartz Re-strike System (Less Lamp)
<b>QRST</b>	Time Delay Quartz Re-strike System (Less Lamp)
<b>FD(Voltage)</b>	Fusing



# Lumen Tech

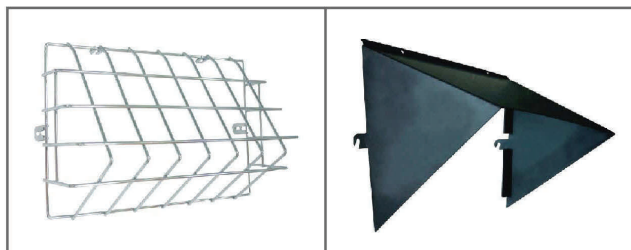
Lighting, Inc.

**Design WP73**  
**Surface Mount Wall Pack**  
 Maximum 400 Watt Metal Halide  
 Or 400W High Pressure Sodium



Report Number	WP73400M.IES
IES Classification	Type IV
Cutoff Classification	Non-Cutoff
Light Source	400W MH
Total Lumens	32000
Total Luminaire Watts	432
Lens	Prismatic Glass

## Options & Accessories



**WP73WG** Wire Guard

**WP73VI** Visor