

Lumen Tech

Lighting, LLC.

Design RW6R

Cobra Head Street Light
With Borosilicate Glass Refractor
Maximum 400 Watt Metal Halide
Or High Pressure Sodium

Specifications

Housing: Heavy duty cast aluminum. Bronze powder coated finish. See finish note.

Lens: High impact/heat resistant borosilicate glass refractor computer designed for wide distribution pattern, silicone sealed to door frame.

Reflector: Anodized aluminum, computer designed in conjunction with the lens for efficiency.

Ballast: Pre-wired C.W.A., H.P.F. core and coil with capacitor.

Lamp: Clear mogul base lamp (by others).

Lamp Holder: High heat 4 K.V. rated, w/nickel plated copper screw shell, spring loaded center contact.

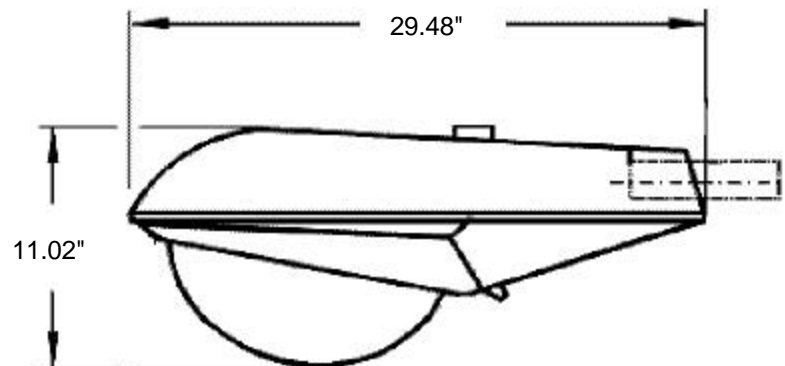
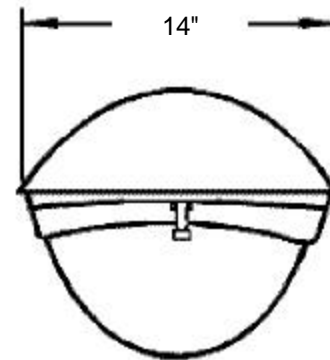
Finish: Silver, detergent cleaned, prime coated. Chip resistant powder urethane polyester coating.

Photometric Information: Contact factory.

Labels: U/L, CUL listed suitable for wet location.



SPECIFICATIONS SUBJECT TO CHANGE WITHOUT NOTICE



Ordering Information

Catalog Number	Watts	Light Source
RW6R150H	150	HPS
RW6R250H	250	HPS
RW6R400H	400	HPS
RW6R175M	175	MH
RW6R250M	250	MH
RW6R250MP	250	MH PS
RW6R320MP	320	MH PS
RW6R350MP	350	MH PS
RW6R400M	400	MH
RW6R400MP	400	MH PS